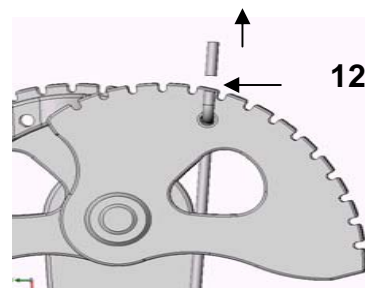
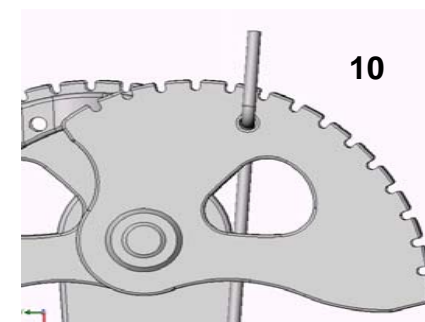
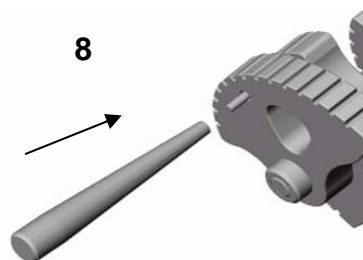
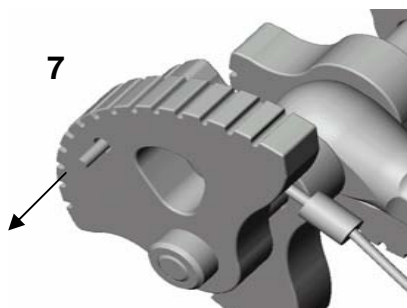
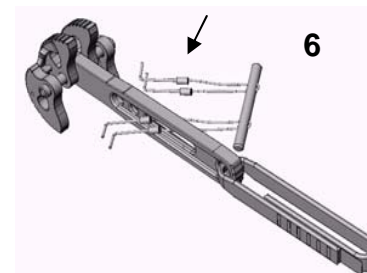
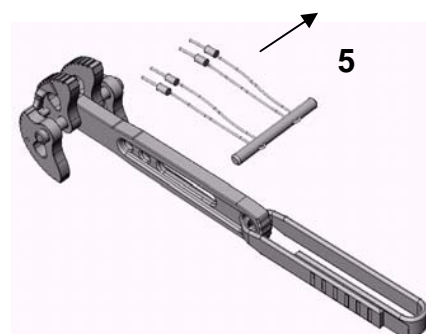
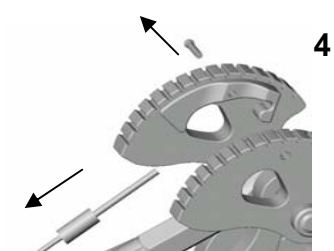
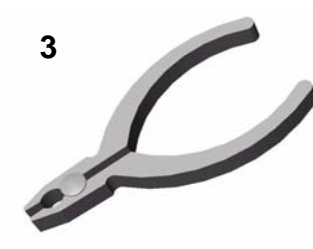
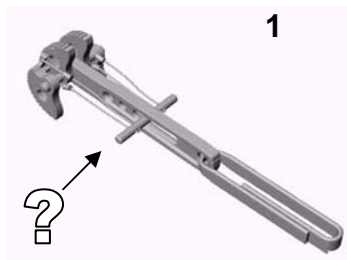


**For repair of Forged
Friends sizes 2.0 to 4.0**

Meverill Road
Tideswell
Buxton
Derbyshire
SK17 8PY

Tel: +44 (0) 1298 871010
Fax: +44 (0) 1298 872077

Email: info@wildcountry.co.uk
Web: www.wildcountry.co.uk



*** These instructions are for Forged Friends sizes 2.0 to 4.0**

“WARNING: it is essential that you read and understand the enclosed Wild Country Technical, Forged and Offset Friend instruction leaflet to establish whether your Technical, Forged or Offset Friend is suitable for repair. Pay particular attention to the sections on Maintenance and Obsolescence. If in doubt or if you require further advice please contact Wild Country Ltd.”